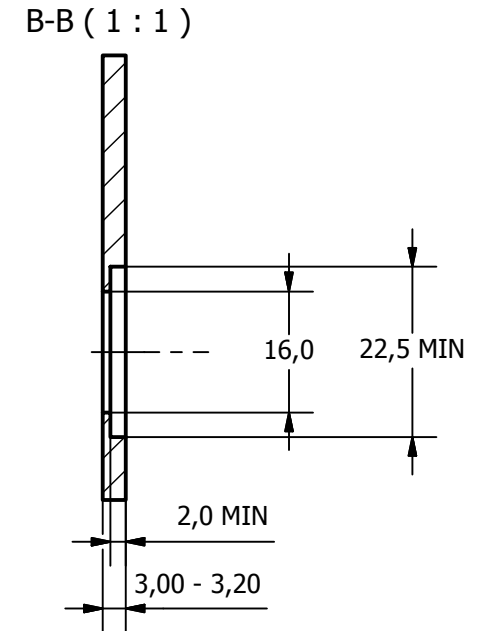
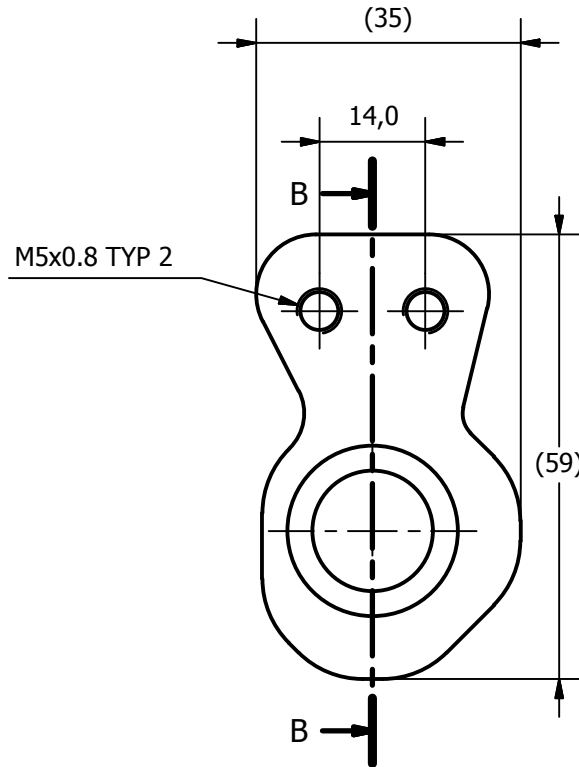


TITAN-AQUA-SEAL-ST

REVISION HISTORY			
REV	DESCRIPTION	DATE	APPROVED
6	MIR variant added	09/10/2017	JR



THIRD ANGLE PROJECTION
 ALL DIMENSIONS IN MM
 MATERIAL: ALUMINIUM
 SURFACE FINISH: UNFINISHED

TOLERANCES UNLESS
 OTHERWISE STATED:
 X ±0.2
 X.X ±0.1
 X.XX ±0.05

E3D-INTERNAL DOCUMENT - NOT FOR REDISTRIBUTION

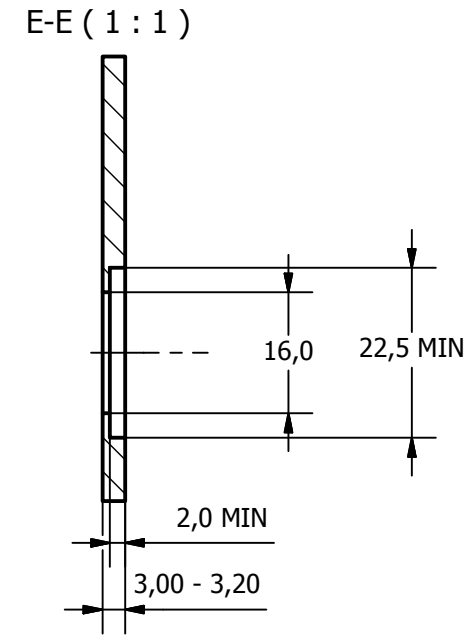
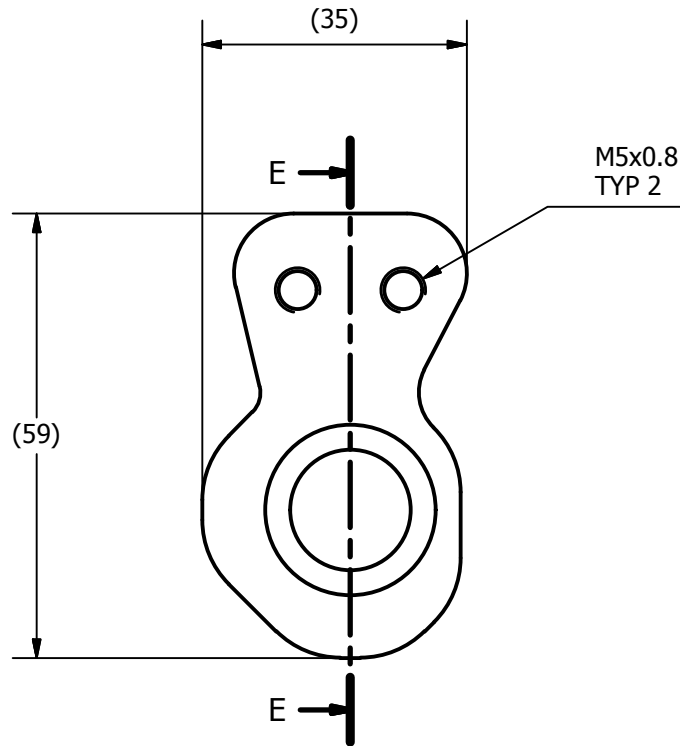
This document is subject to conditions outlined in our mutual NDA and is not for redistribution. Ownership of the document and its contents remain the property of E3D-Online Ltd.

Copyright E3D-Online Ltd - all rights reserved.

Designed by RY	Checked by JR	Approved by JR	Date 09/02/2017	Date 07/02/2017	
E3D-ONLINE your toolkit for everything 3D printing			Titan Aqua Sealing Plate		
			TITAN-AQUA-SEAL-PUBLIC	Edition 6	Sheet 1 / 2

TITAN-AQUA-SEAL-MIR

REVISION HISTORY			
REV	DESCRIPTION	DATE	APPROVED
6	MIR variant added	09/10/2017	JR



THIRD ANGLE PROJECTION
 ALL DIMENSIONS IN MM
 MATERIAL: ALUMINIUM
 SURFACE FINISH: UNFINISHED

TOLERANCES UNLESS OTHERWISE STATED:
 X ±0.2
 X.X ±0.1
 X.XX ±0.05

E3D-INTERNAL DOCUMENT - NOT FOR REDISTRIBUTION

This document is subject to conditions outlined in our mutual NDA and is not for redistribution. Ownership of the document and its contents remain the property of E3D-Online Ltd.

Copyright E3D-Online Ltd - all rights reserved.

Designed by RY	Checked by JR	Approved by JR	Date 09/02/2017	Date 07/02/2017	
E3D-ONLINE your toolkit for everything 3D printing		Titan Aqua Sealing Plate			
		TITAN-AQUA-SEAL-PUBLIC	Edition 6	Sheet 2 / 2	