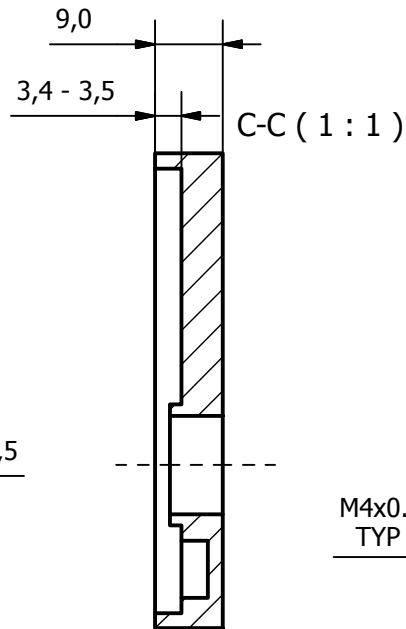
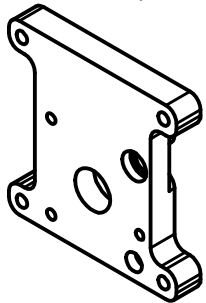
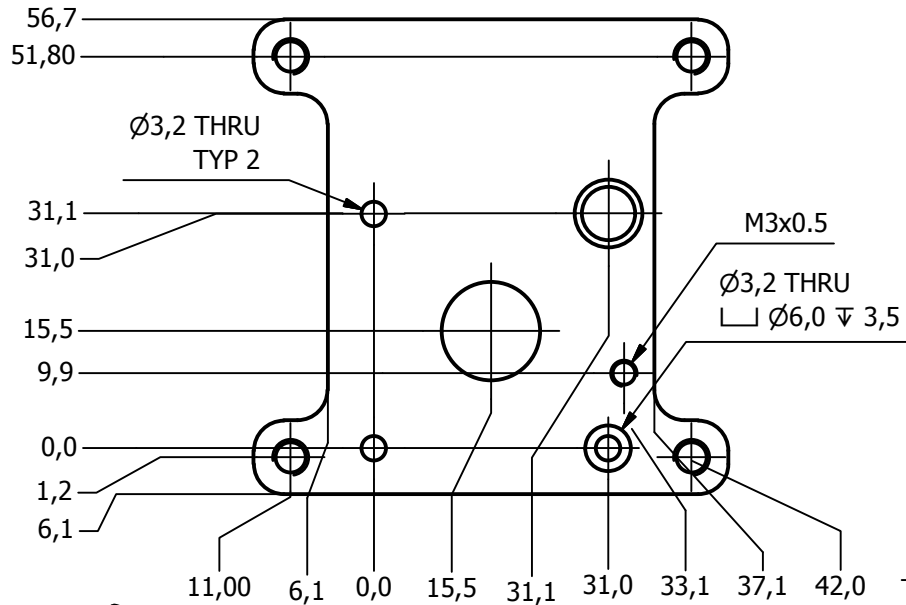
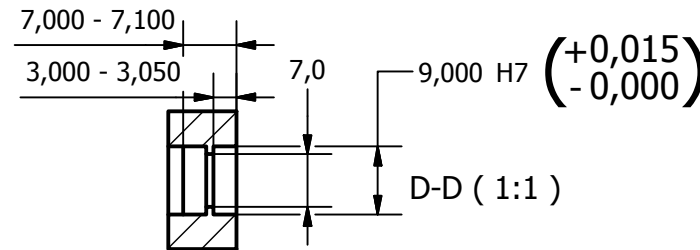
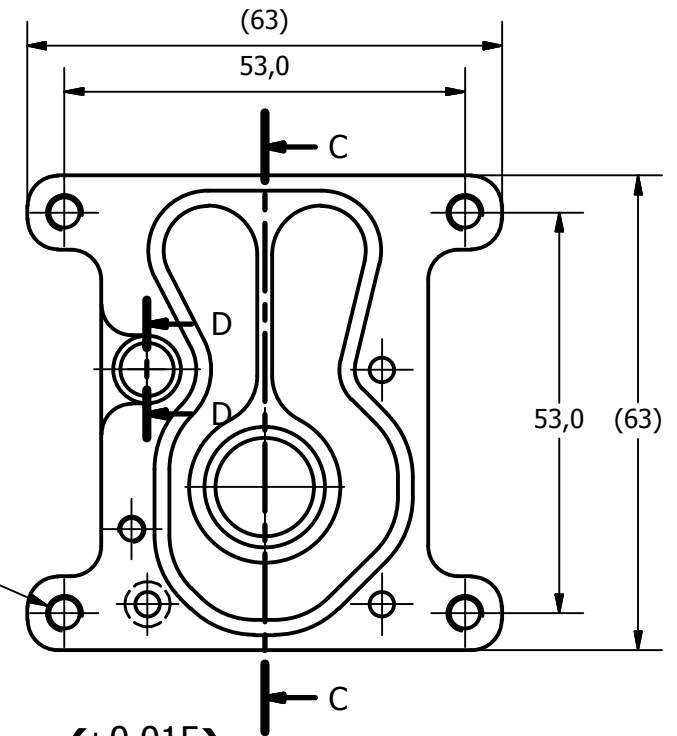


TITAN-AQUA-BODY-ST

REVISION HISTORY			
REV	DESCRIPTION	DATE	APPROVED
6	MIR variant added	05/10/2017	JR



M4x0.7
TYP 4




THIRD ANGLE PROJECTION
ALL DIMENSIONS IN MM
MATERIAL: ALUMINIUM
SURFACE FINISH: UNFINISHED

TOLERANCES UNLESS OTHERWISE STATED:
X ± 0.2
X.X ± 0.1
X.XX ± 0.05

E3D-INTERNAL DOCUMENT - NOT FOR REDISTRIBUTION

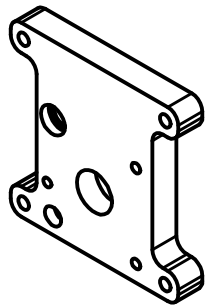
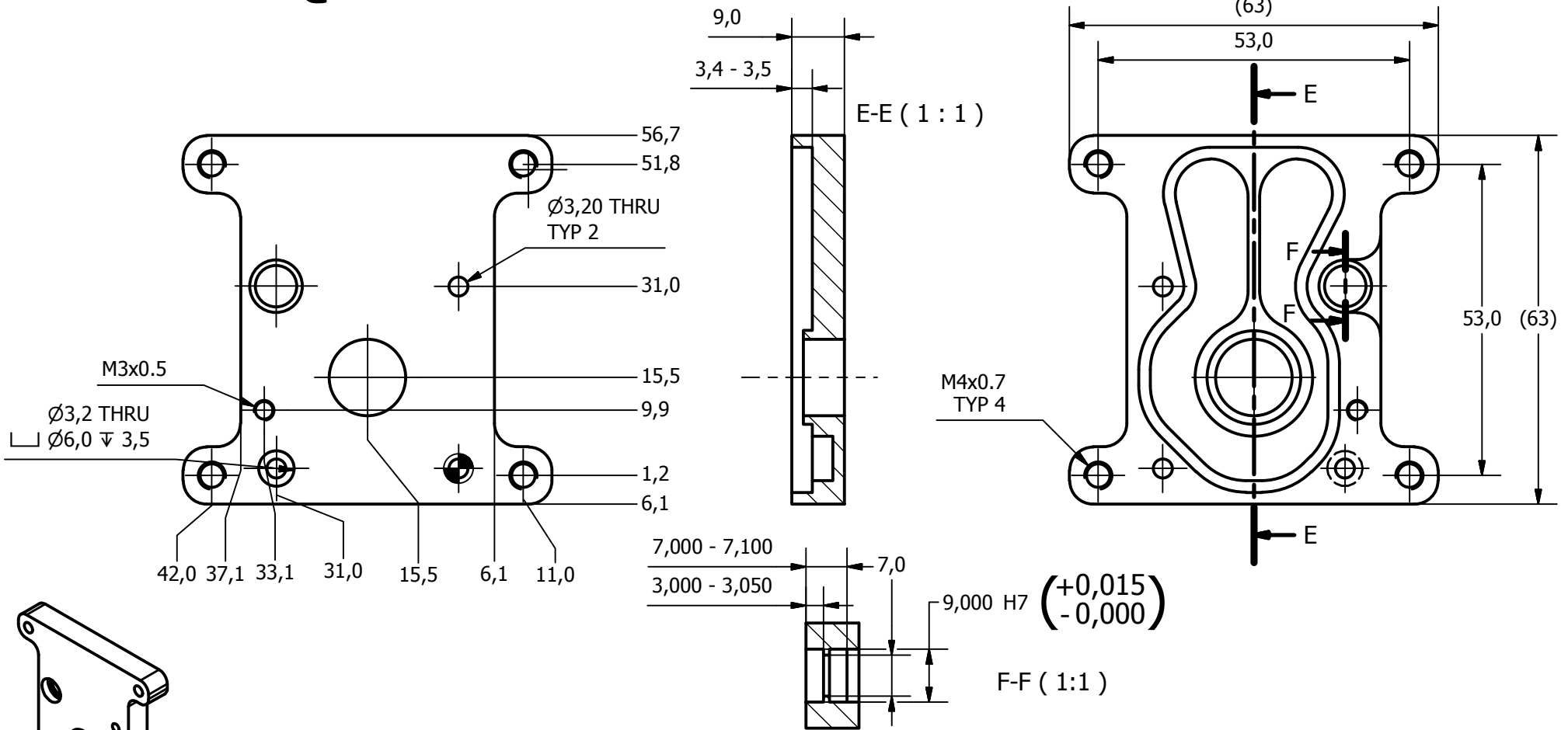
This document is subject to conditions outlined in our mutual NDA and is not for redistribution. Ownership of the document and its contents remain the property of E3D-Online Ltd.

Copyright E3D-Online Ltd - all rights reserved.

Designed by RY	Checked by JR	Approved by JR	Date 09/02/2017	Date 07/02/2017	
 E3D-ONLINE your toolkit for everything 3D printing			Titan Aqua Main Body		
			TITAN-AQUA-BODY-PUBLIC	Edition 6	Sheet 1 / 2

TITAN-AQUA-BODY-MIR

REVISION HISTORY			
REV	DESCRIPTION	DATE	APPROVED
6	MIR variant added	05/10/2017	JR




THIRD ANGLE PROJECTION
 ALL DIMENSIONS IN MM
 MATERIAL: ALUMINIUM
 SURFACE FINISH: UNFINISHED

TOLERANCES UNLESS OTHERWISE STATED:
 X ±0.2
 X.X ±0.1
 X.XX ±0.05

E3D-INTERNAL DOCUMENT - NOT FOR REDISTRIBUTION

This document is subject to conditions outlined in our mutual NDA and is not for redistribution. Ownership of the document and its contents remain the property of E3D-Online Ltd.

Copyright E3D-Online Ltd - all rights reserved.

Designed by RY	Checked by JR	Approved by JR	Date 09/02/2017	Date 07/02/2017	
 E3D-ONLINE your toolkit for everything 3D printing			Titan Aqua Main Body		
			TITAN-AQUA-BODY-PUBLIC	Edition 6	Sheet 2 / 2