

## BMG Extruder

The Bondtech BMG utilizes an internal gearing ratio of 3:1 together with precision CNC-machined hardened steel drive gears to give you a compact powerhouse for all your applications.

Whether you require high resolution prints with small nozzles or high-flow prints with big nozzles the optimized gearing ratio combined with our industry leading drive gears provides unparalleled pushing power and lightning fast retractions in a lightweight and compact package.

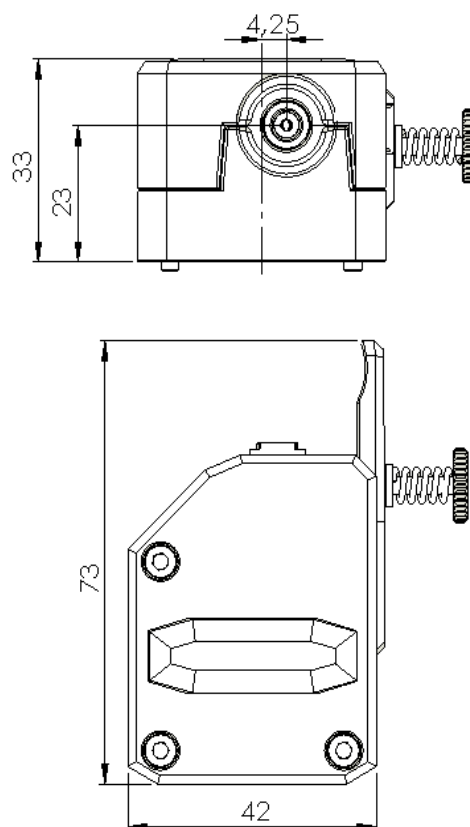
The extruder is sold without motor. BMG is available in both left hand and right hand. The picture and drawing show the right-hand edition.



## Technical Specification

- EAN-code RH 7350011410309
- EAN-code LH 7350011410347
- Net weight 75g
- Gross weight 139g
- Package dimension 137x94x65mm
- Gearing ratio 3:1
- Filament diameter 1.75mm
- Operating temperature 0–80°C
- E-steps value 415

## Drawing



## Contact Information

Bondtech AB  
Repslagarevägen 3J  
33153 Värnamo  
Sweden

E-mail: [support@bondtech.se](mailto:support@bondtech.se)  
Web: [www.bondtech.se](http://www.bondtech.se)